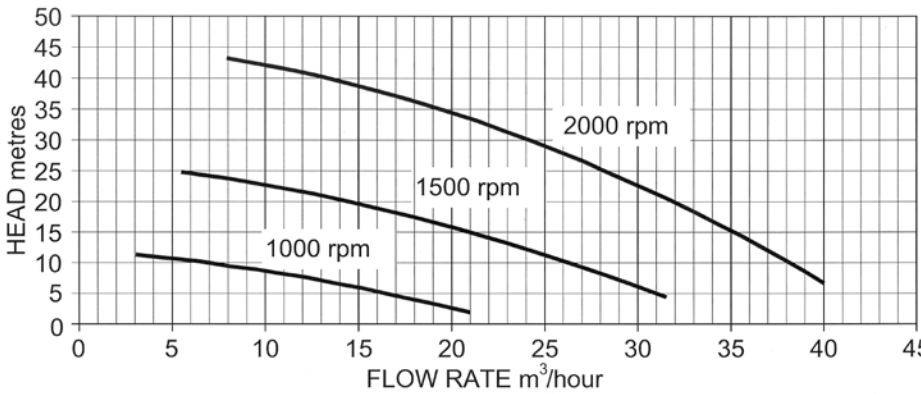


FP PUMPS

TS50D18

2" BRONZE SELF-PRIMING SIDE CHANNEL PUMP



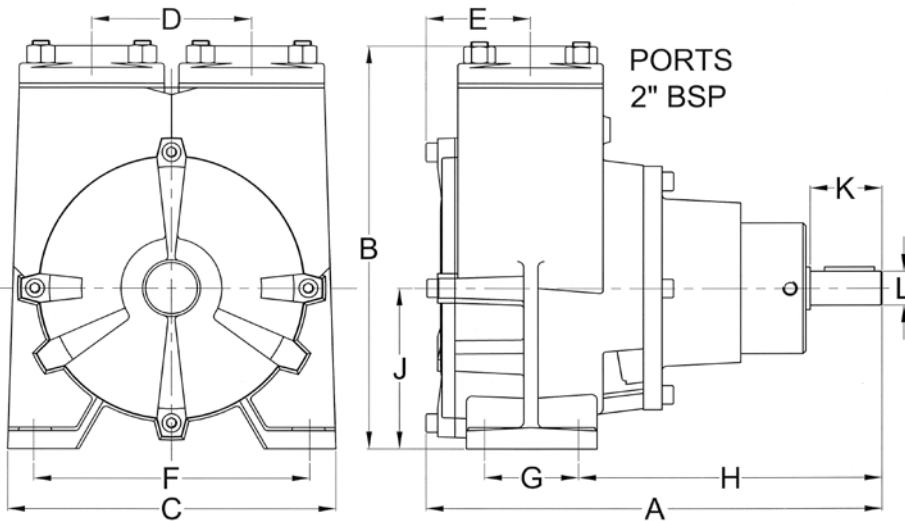
PERFORMANCE

Model	Maximum flow rate			Maximum head	
	l/min	cu.m/hr	gall/min	metres	feet
TS50D18	667	40	146	43	141

Maximum power absorbed 9.6kW at 2000rpm

DIMENSIONS IN MM (APPROX.)

WEIGHT: 28kg



A	B	C	D	E	F	G	H	J	K	L
314	280	226	110	72	190	65	209.5	112	50	Ø24

MATERIALS OF CONSTRUCTION

Pump casing	bronze
Impeller	bronze
Port counterflanges	bronze
Shaft	stainless steel AISI316
Bearing housing	cast iron
Pump head bolts	stainless steel
O-ring static seal	nitrile rubber

Pump performance and specification are subject to alteration without notice

AVAILABLE CLUTCHES *(ask for a data sheet)*

Clutch Type	Pulley Pitch Dia	Pulley Belt Section	No of Belts	FP Code
MANUAL	140mm	B	2	FP-94-8090611
MANUAL	160mm	SPB	2	FP-94-8080611
24v dc	180mm	SPB	2	FP-94-8000527

BRONZE PUMPS *for* SEAWATER

Xylem Water Solutions UK Ltd
Bingley Road
Hoddesdon
Hertfordshire • EN11 0BU • UK

Tel: +44 (0)1462 480380
Fax: +44 (0)1462 482422
mail@cleghorn.co.uk
www.jabscoshop.com

xylem
Let's Solve Water